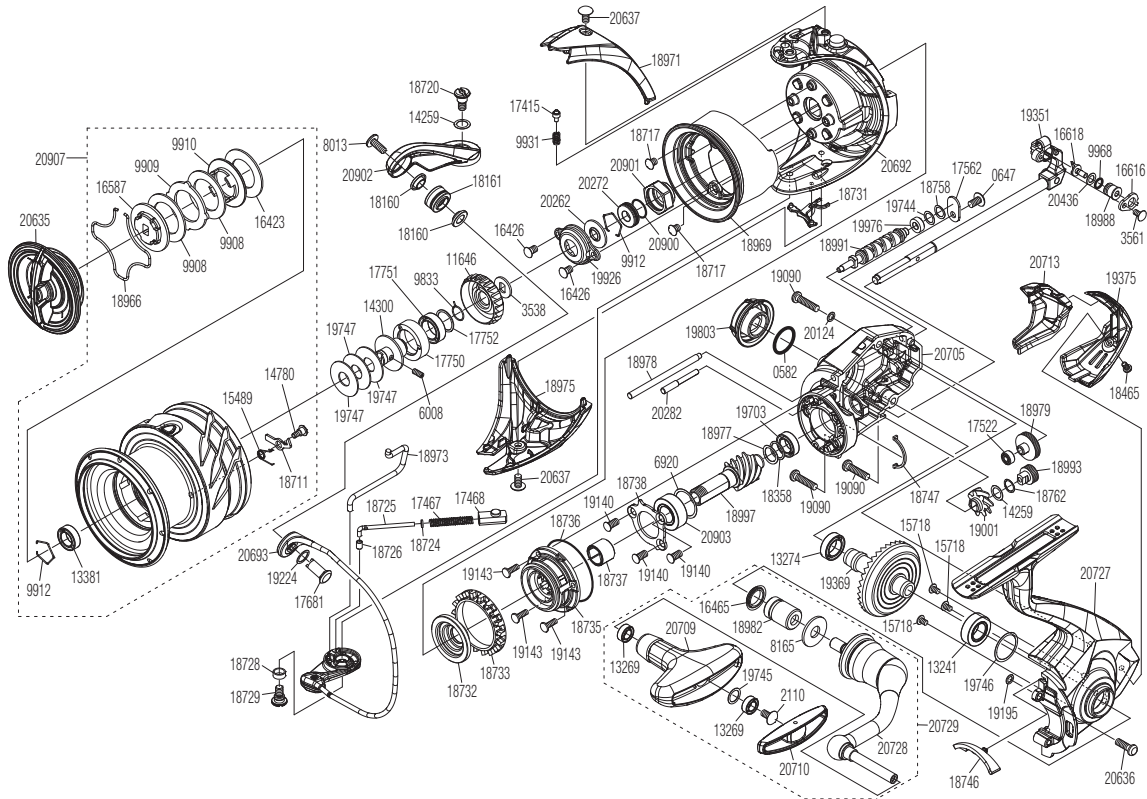


SHIMANO

TWIN POWER SA-RB

TP-4000XG



Please note that the number of adjusting washers may not always be the same as shown in the exploded views.

(51SF29H043X)

Please note that your actions take full responsibility when you take it apart.

Part No.	Description	Part No.	Description	Part No.	Description
RD 0582	O Ring	RD18711	Drag Click	RD19747	Washer
RD 0647	Screw	RD18717	Screw	RD19803	Handle Screw Cap
RD 2110	Screw	RD18720	Screw	RD19926	Retainer
RD 3538	Spool Support	RD18724	Spring Guide A Support Collar	RD19976	Bushing
RD 3561	Screw	RD18725	Bail Spring Guide	RD20124	Washer
RD 6008	Set Screw	RD18726	Bail Spring Guide A Bush	RD20262	Bearing Water Proof
RD 6920	Washer	RD18728	Collar	RD20272	Main Shaft Collar
RD 8013	Screw	RD18729	Screw	RD20282	Idle Gear Shaft
RD 8165	Washer	RD18731	Bail Hold Support Guard B	RD20436	Washer
RD 9833	Ratchet Spring	RD18732	Rotor Ring	RD20635	Drag Knob Assembly
RD 9908	Drag Washer A	RD18733	Friction Ring	RD20636	Screw
RD 9909	Eared Washer	RD18735	Roller Clutch Assembly	RD20637	Screw
RD 9910	Key Washer A	RD18736	Roller Clutch Case Seal	RD20692	Rotor Assembly
RD 9912	Bearing Retainer	RD18737	Roller Clutch Inner	RD20693	Bail Assembly
RD 9931	Click Spring	RD18738	Bearing Retainer	RD20705	Body
RD 9968	O Ring	RD18746	Bail Trip Strike	RD20709	Handle Knob
RD11646	Drag Click Ratchet	RD18747	Flange Water Proof	RD20710	Handle Knob Seal
RD13241	Ball Bearing	RD18758	Washer	RD20713	Rear Shield
RD13269	Ball Bearing	RD18762	Washer	RD20727	Side Cover Assembly
RD13274	Ball Bearing	RD18966	Retainer	RD20728	Handle Shank Assembly
RD13381	Ball Bearing	RD18969	Rotor Brim	RD20729	Handle Assembly
RD14259	Washer	RD18971	Bail Spring Cover	RD20900	O Ring
RD14300	Bearing Bushing	RD18973	Bail Trip Lever	RD20901	Rotor Nut
RD14780	Screw	RD18975	Bail Hold Support Guard	RD20902	Bail Arm
RD15489	Drag Click Spring	RD18977	Washer	RD20903	Ball Bearing
RD15718	Screw	RD18978	Oscillating Guide A	RD20907	Spool Assembly
RD16423	Drag Washer B	RD18979	Idle Gear		
RD16426	Screw	RD18982	Handle Shaft Cover		
RD16465	Handle Shaft Seal	RD18988	Oscillating Slider Bushing		
RD16587	Key Washer B	RD18991	Worm Shaft		
RD16616	Oscillating Pawl Cover	RD18993	Idle Gear (Small)		
RD16618	Oscillating Pawl	RD18997	Pinion Gear		
RD17415	Click Pin	RD19001	Idle Gear (Large)		
RD17467	Bail Spring	RD19090	Screw		
RD17468	Bail Spring Guide B	RD19140	Screw		
RD17522	Bushing	RD19143	Screw		
RD17562	Worm Shaft Retainer	RD19195	Washer		
RD17681	Line Roller Support	RD19224	Washer		
RD17750	Bearing Housing	RD19351	Main Shaft Assembly		
RD17751	Ball Bearing	RD19369	Drive Gear		
RD17752	Washer	RD19375	Rear Protector		
RD18160	Collar	RD19703	Ball Bearing		
RD18161	Line Roller Set	RD19744	Washer		
RD18358	Spacer	RD19745	Washer		
RD18465	Screw	RD19746	Washer		